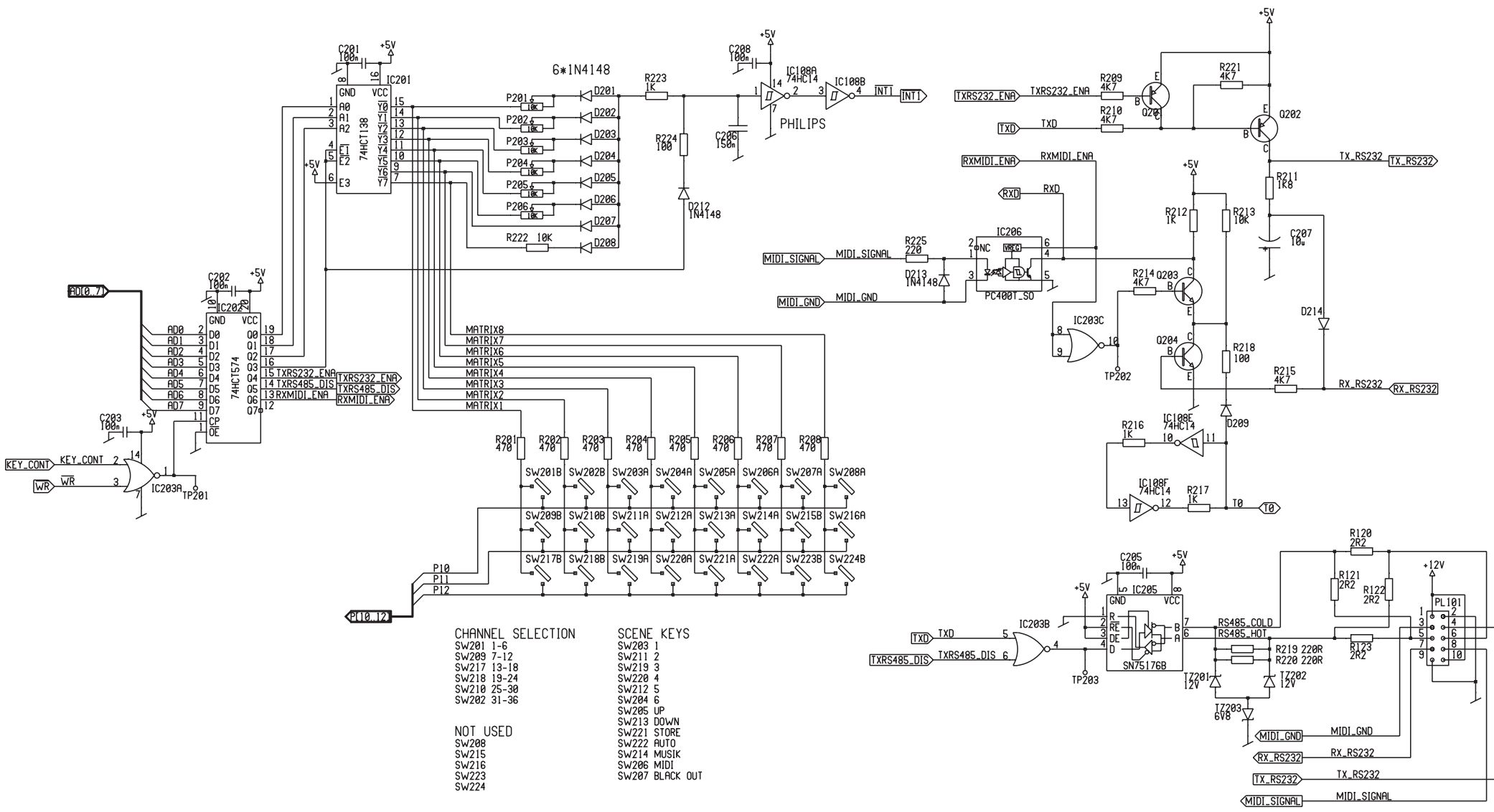


PRODUCT		ENG.	
2518 CONTROLLER		Martin Professional A/S	
REVISION REV	PAGE 1	OF 2	
DRAWN BY BH			
NAME 811330B0.SCH/101330B.PCB	DATE 12/8/98	TIME 16:39	



- | | |
|--|---|
| <p>CHANNEL SELECTION</p> <p>SW201 1-6
 SW209 7-12
 SW217 13-18
 SW218 19-24
 SW210 25-30
 SW202 31-36</p> <p>NOT USED</p> <p>SW208
 SW215
 SW216
 SW223
 SW224</p> | <p>SCENE KEYS</p> <p>SW203 1
 SW211 2
 SW219 3
 SW220 4
 SW212 5
 SW204 6
 SW205 UP
 SW213 DOWN
 SW221 STORE
 SW222 AUTO
 SW214 MUSIK
 SW206 MIDI
 SW207 BLACK OUT</p> |
|--|---|

PRODUCT		ENG.	
2518 CONTROLLER		Martin Professional A/S	
REVISION A0	PAGE 2	OF 2	
DRAWN BY BH			
NAME 811330B0.SCH/101330B.PCB	DATE 12/8/98	TIME 16:39	